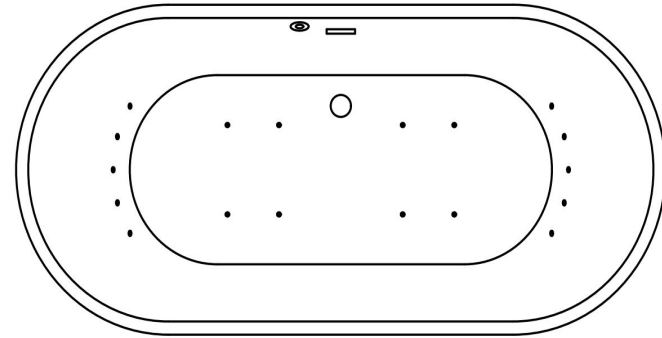


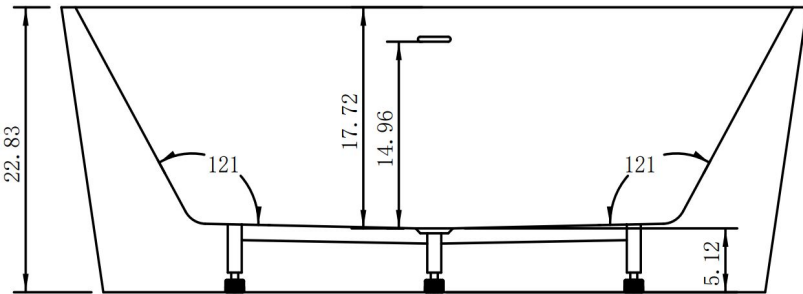
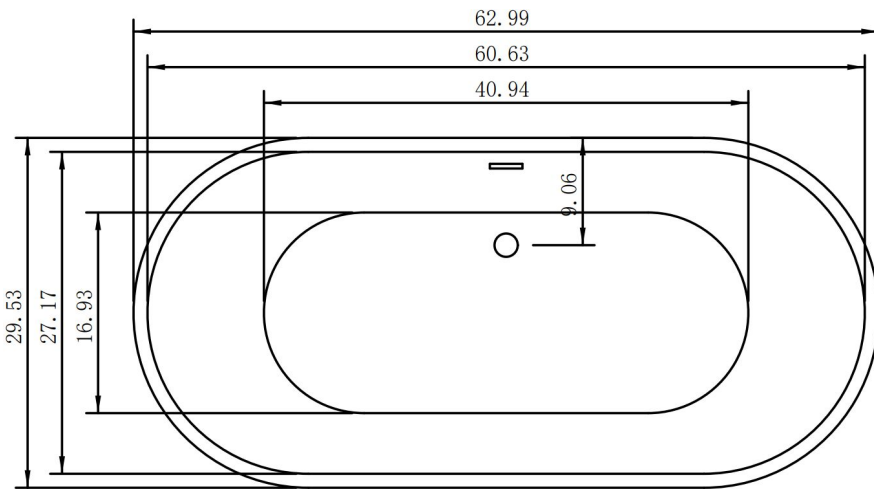


**Tub Configurations**



**Napoli63CAJ (Air Jet)**  
(Electrical: 1x 110V 15A GFCI)  
Standard Feature: Air Blower

*Optional Features: Chromotherapy Light, Ozone Sanitizing*



**Napoli63C (Soaker)**

**General Specifications**

<b>Installation</b>	Freestanding
<b>Material</b>	High Gloss Acrylic Sheet Reinforced with Fiberglass and Resin
<b>Weight</b>	107 lbs - Soaker 117 lbs - Air Jet
<b>Depth to Overflow</b>	14.96"
<b>Water Capacity (with Bather*)</b>	68 gal (43 gal)

**Drain Requirement**

Required pop-up drain and 1.5" drain hub included  
Can use Slip Joint or Quick Connect Drain (Not Supplied)  
Tub supplied with leveling pads for uneven floors

**Component Legend**

-  Activation Button
-  Air Wall Jet
-  Air Floor Jet

**Codes/Standards**

ASME A112.19.702020/CSA B45.10:20\*  
CSA B45.5/IAPMO Z124-2017  
UL 1795\*  
MA Code Accepted

