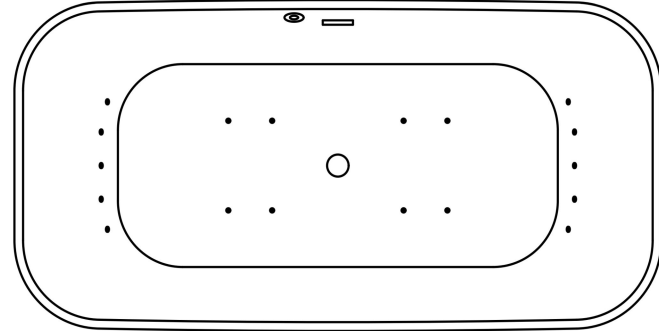




**Tub Configurations**

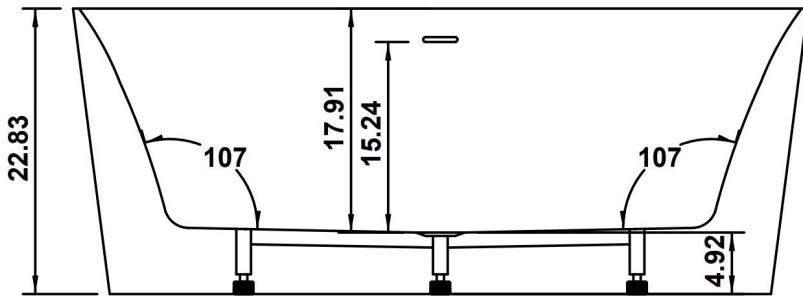
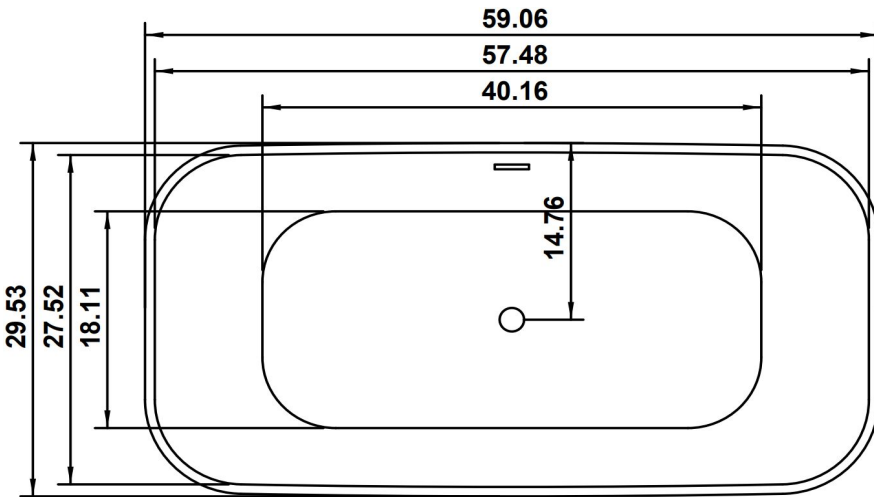


Milano59CAJ (Air Jet)

(Electrical: 1x 110V 15A GFCI)

Standard Feature: Air Blower

Optional Features: Chromotherapy Light, Ozone Sanitizing



Milano59C (Soaker)

**General Specifications**

|                                      |   |
|--------------------------------------|---|
| <b>Installation</b>                  | Freestanding  |
| <b>Material</b>                      | High Gloss Acrylic Sheet Reinforced with Fiberglass and Resin |
| <b>Weight</b>                        | 111 lbs - Soaker<br>121 lbs - Air Jet                         |
| <b>Depth to Overflow</b>             | 15.24"  |
| <b>Water Capacity (with Bather*)</b> | 69 gal (44 gal)   |

**Drain Requirement**

Required pop-up drain and 1.5" drain hub included  
Can use Slip Joint or Quick Connect Drain (Not Supplied)  
Tub supplied with leveling pads for uneven floors

**Component Legend**

-  Activation Button
-  Air Wall Jet
-  Air Floor Jet

**Codes/Standards**

ASME A112.19.702020/CSA B45.10:20\*  
CSA B45.5/IAPMO Z124-2017  
UL 1795\*  
MA Code Accepted

