

Eclipse67C (Soaker)

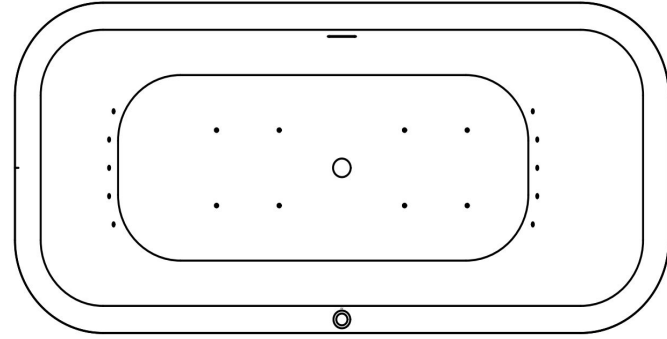
**General Specifications**

<b>Installation</b>	Freestanding
<b>Material</b>	High Gloss Acrylic Sheet Reinforced with Fiberglass and Resin
<b>Weight</b>	113 lbs - Soaker 123 lbs - Air Jet 131 lbs - Water Jet 143 lbs - HydroSpa
<b>Depth to Overflow</b>	16.38"
<b>Water Capacity (with Bather*)</b>	84 gal (59 gal)

**Drain Requirement**

Required pop-up drain and 1.5" drain hub included  
Can use Slip Joint or Quick Connect Drain (Not Supplied)  
Tub supplied with leveling pads for uneven floors

**Tub Configurations**

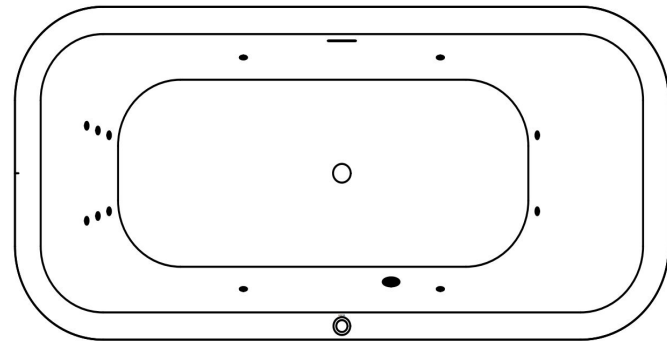


Eclipse67CAJ (Air Jet)

(Electrical: 1x 110V 15A GFCI)

Standard Feature: Air Blower

Optional Features: Chromotherapy Light, Ozone Sanitizing

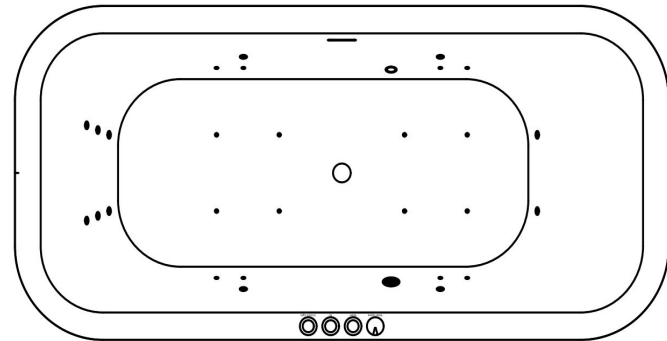


Eclipse67CWJ (Water Jet)

(Electrical: 1x 110V 15A GFCI)

Standard Feature: Water Pump

Optional Features: Chromotherapy Light, Ozone Sanitizing, Speed Control, Water Heater



Eclipse67CHS (HydroSpa)

(Electrical: 2x 110V 15A GFCI)

Features: Air Blower, Water Pump, Water Heater, Speed Control, Chromotherapy Light, Ozone Sanitizing, Headrest Pillows

**Component Legend**

- Suction Cover
- Chromotherapy Light
- Water Jet
- Air Wall Jet
- Air Floor Jet

**Codes/Standards**

ASME A112.19.702020/CSA B45.10:20\*  
CSA B45.5/IAPMO Z124-2017  
UL 1795\*  
MA Code Accepted

