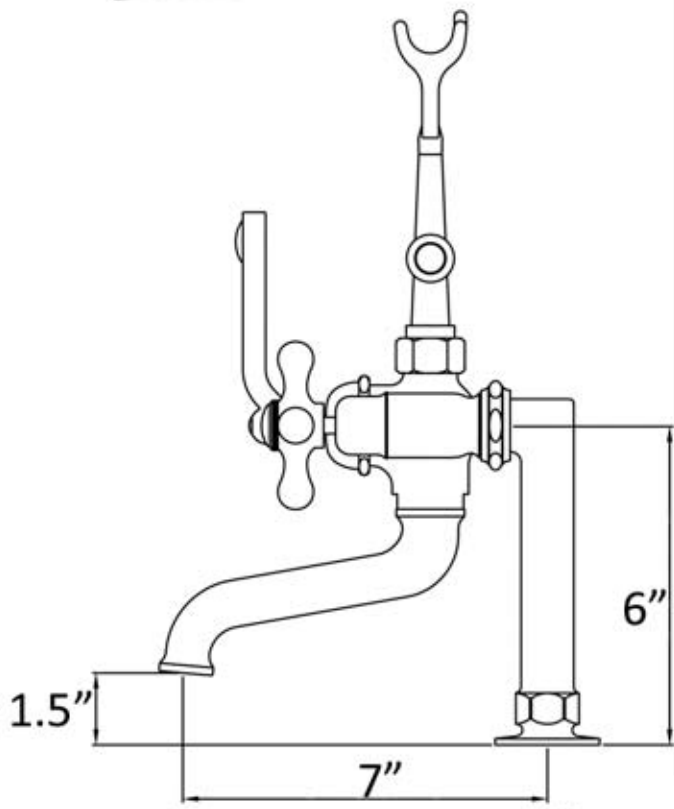
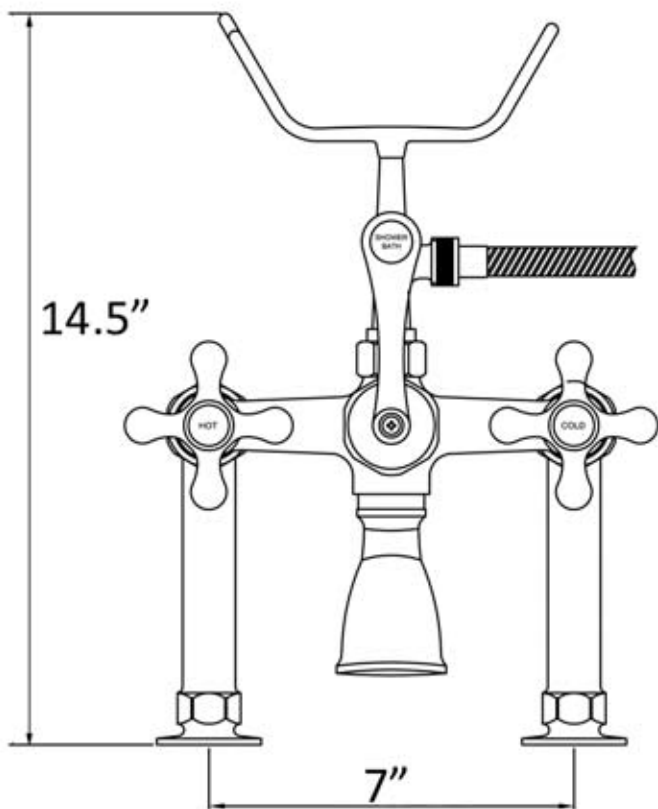
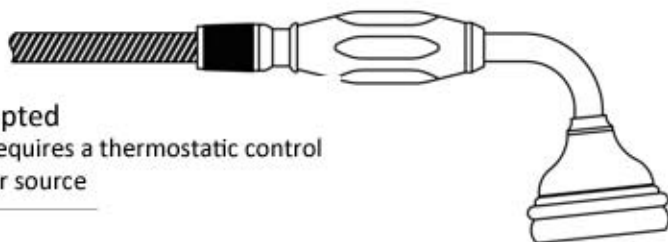


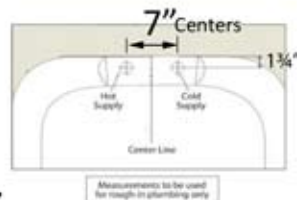
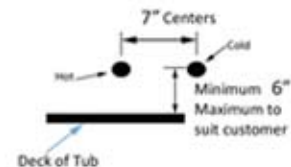


MA Code Accepted
 MA acceptance requires a thermostatic control valve at hot water source



Integrated Handheld Shower
 ANSI Approved Back-flow Prevention
 Deck Mounted or Wall Mounted
 1/4 Turn Ceramic Valves
 8 Gallons Per Minute @ 60 psi
 1/2" Male Connectors Supplied

VF110T Victoriana Tub Filler WALL MOUNT



For Wall Mount, we recommend a minimum center height of 6" above the tub deck on 7" centers. Tub distance from the wall should be no greater than 4".

Deck Mount on a Hotel Collection Tub.