



BOFD Inc.
 4773 58th Avenue N
 St. Petersburg, FL. 33714
 www.bathsofdistinction.com

For faucet rough-in, please view the specification sheet for the faucet purchased

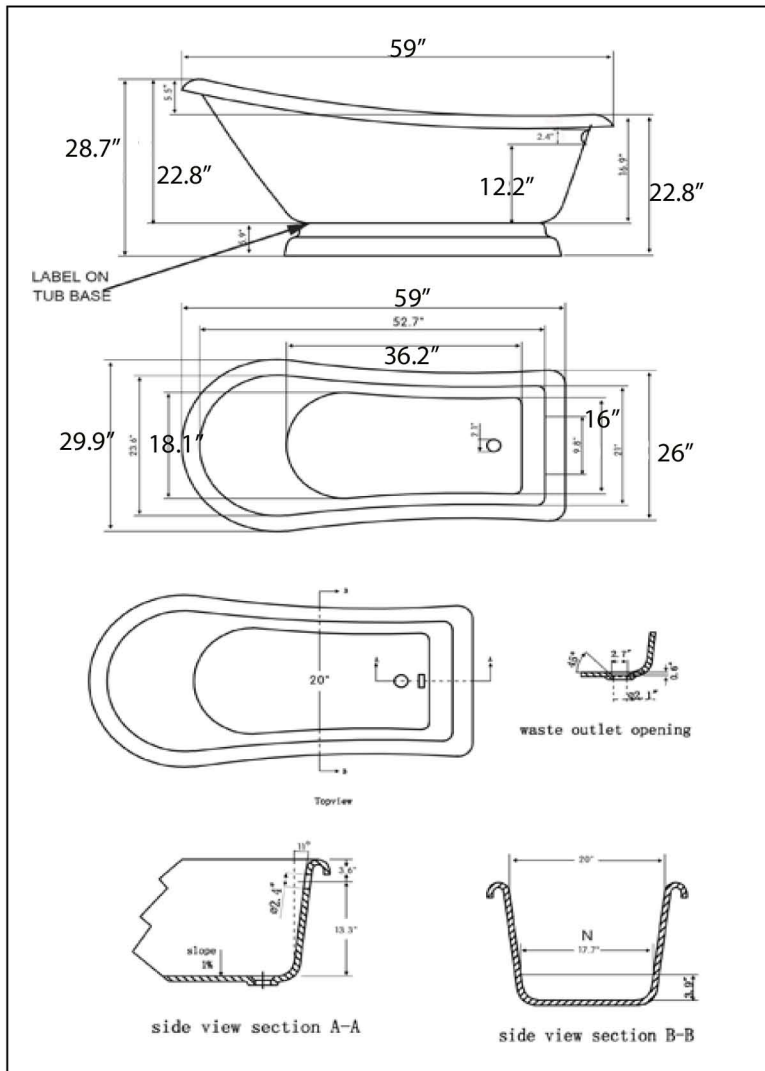
HLSLPD59 Single Slipper Pedestal Tub



Weight	133 lbs
Gallons to Overflow	44
Weight Full to Overflow	469 lbs
Min. Wall Thickness	3/4"
Reinforced Floor	YES
Aluminum Heat Barrier (with narrow air gap)	YES
Slip Resistant Floor	YES
High Gloss Finish Interior & Exterior	YES
Available with Bubble Jetting	YES

Meets or Exceeds ANSI Z124.1.2-2005: CSA B45.0-02 & CSA B45.5-02

MA Code Accepted
 Universal Plumbing
 Code Listed



MODEL #.....

SERIAL #.....

DATE OF MANUFACTURE.....



MEETS ANSI Z124.1.2-2005, CSA B45.0-02 & CSA B45.5-02