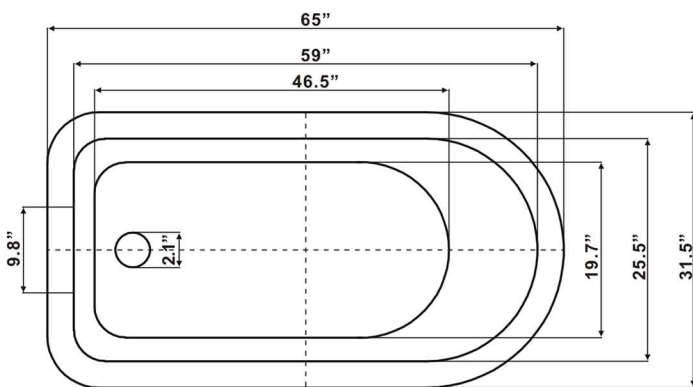


For faucet rough-in, please view the specification sheet for the faucet purchased



Meets or Exceeds ANSI Z124.1.2-2005; CSA B45.0-02 & CSA B45.5-02

**Weights**

Weight empty	154 lbs
Weight filled to overflow	524 lbs
Gallons to overflow	58

**General**

- Reinforced extra thick floor
- Slip resistant floor
- High gloss interior and exterior
- Integrated aluminum heat barrier
- Minimum tub thickness 3/4"

cUPC label on base of tub



MA Code Accepted  
Universal Plumbing  
Code Listed

Manufactured by;

Baths of Distinction Inc. 5843 Carrier St, St. Petersburg, Florida USA 33714