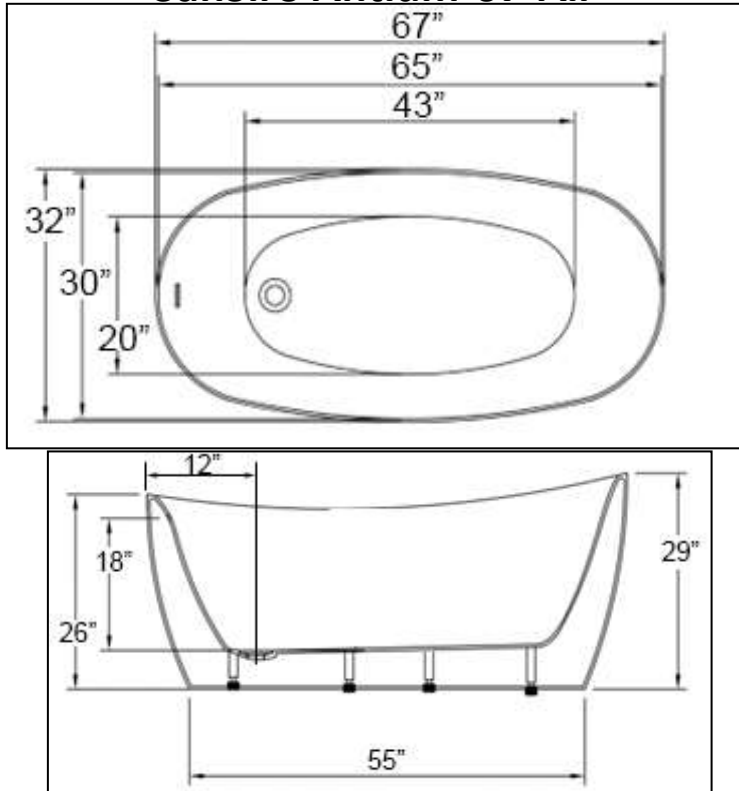




SanSiro Antium-67-Air



Features		Soaker
Integrated Drain with Overflow	Yes	Yes
Slotted Overflow	Yes	Yes
Pop-up Drain	Yes	Yes
Integrated Variable Speed Blower	0.5 HP	No
White Air Jets on Floor	12	No
Water Proof Remote Control Activation	Yes	No
GFCI Electrical Supply	110V/15 Amp	No
Gallons to Overflow with Bather	44	44
Tub Weight Empty lbs	107	100
Shipping Weight lbs	135	128
Shipping Dimensions	71 x 35 x 31	71 x 35 x 31

Meets or Exceeds

CSA B45.5/IAPMO Z124-2017

ASME A112.18.1-2018/CSA B125.1-18

MA Code Accepted

All Electrical Components are UL Listed

