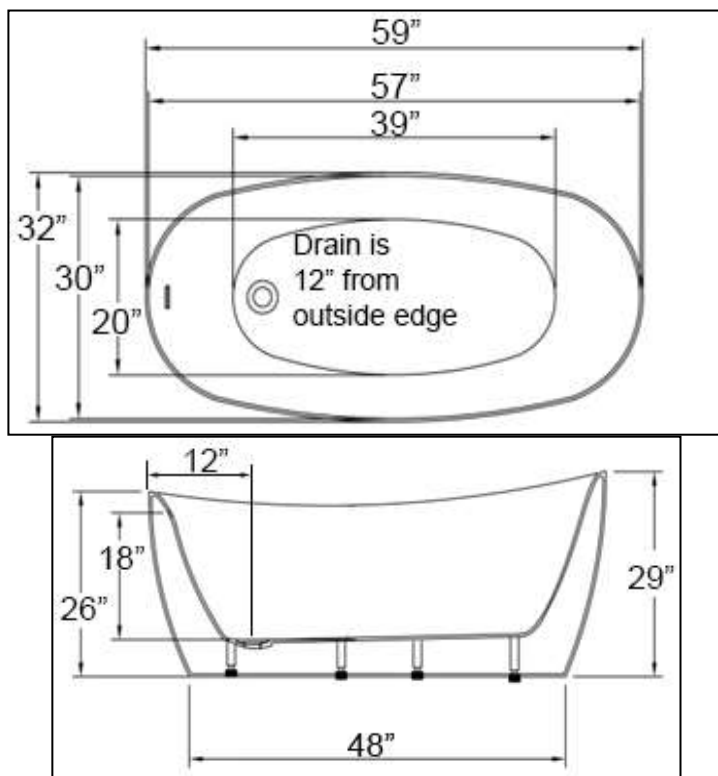




## SanSiro Antium-59-Air



Features	Air Jetted	Soaker
Integrated Drain with Overflow	Yes	Yes
Slotted Overflow	Yes	Yes
Pop-up Drain	Yes	Yes
Integrated Variable Speed Blower	0.5 HP	No
White Air Jets on Floor	12	No
Water Proof Remote Control Activation	Yes	No
GFCI Electrical Supply	110V/15 Amp	No
Gallons to Overflow with Bather	37	37
Tub Weight Empty lbs	106	106
Shipping Weight lbs	131	131
Shipping Dimensions	63 x 35 x 31	63 x 35 x 31

### Meets or Exceeds

CSA B45.5/IAPMO Z124-2017  
 ASME A112.18.1-2018/CSA B125.1-18  
 MA Code Accepted  
 All Electrical Components are UL Listed

