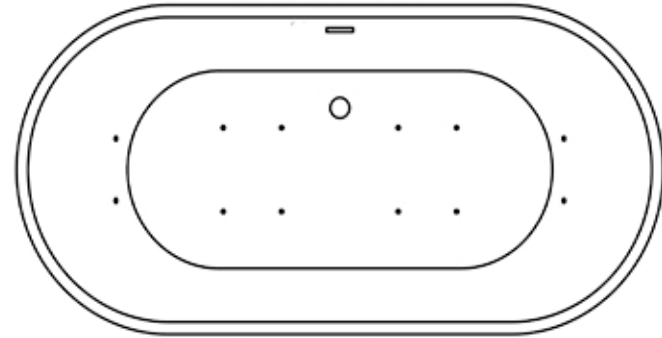
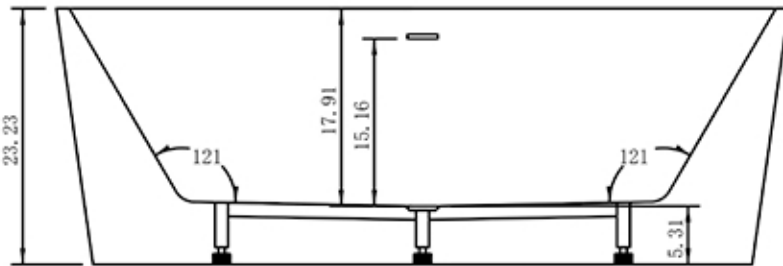
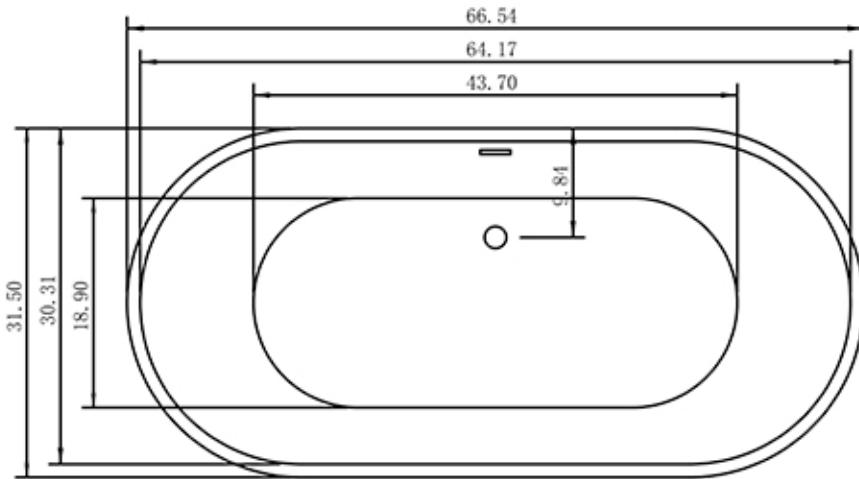




Tub Configuration



Napoli67CAJ (Air Jet)
(Electrical: 1x 110V 15A GFCI)



Napoli67C (Soaker)

General Specifications

Installation	Freestanding
Material	High Gloss Acrylic Sheet Reinforced with Fiberglass and Resin
Weight	112 lbs - Soaker 122 lbs - Air Jet
Depth to Overflow	15.16"
Water Capacity (with Bather*)	72 gal (47 gal)

Codes/Standards

ASME A112.19.702020/CSA B45.10:20*
CSA B45.5/IAPMO Z124-2017
UL 1795*
MA Code Accepted
All Electrical Components UL Listed

