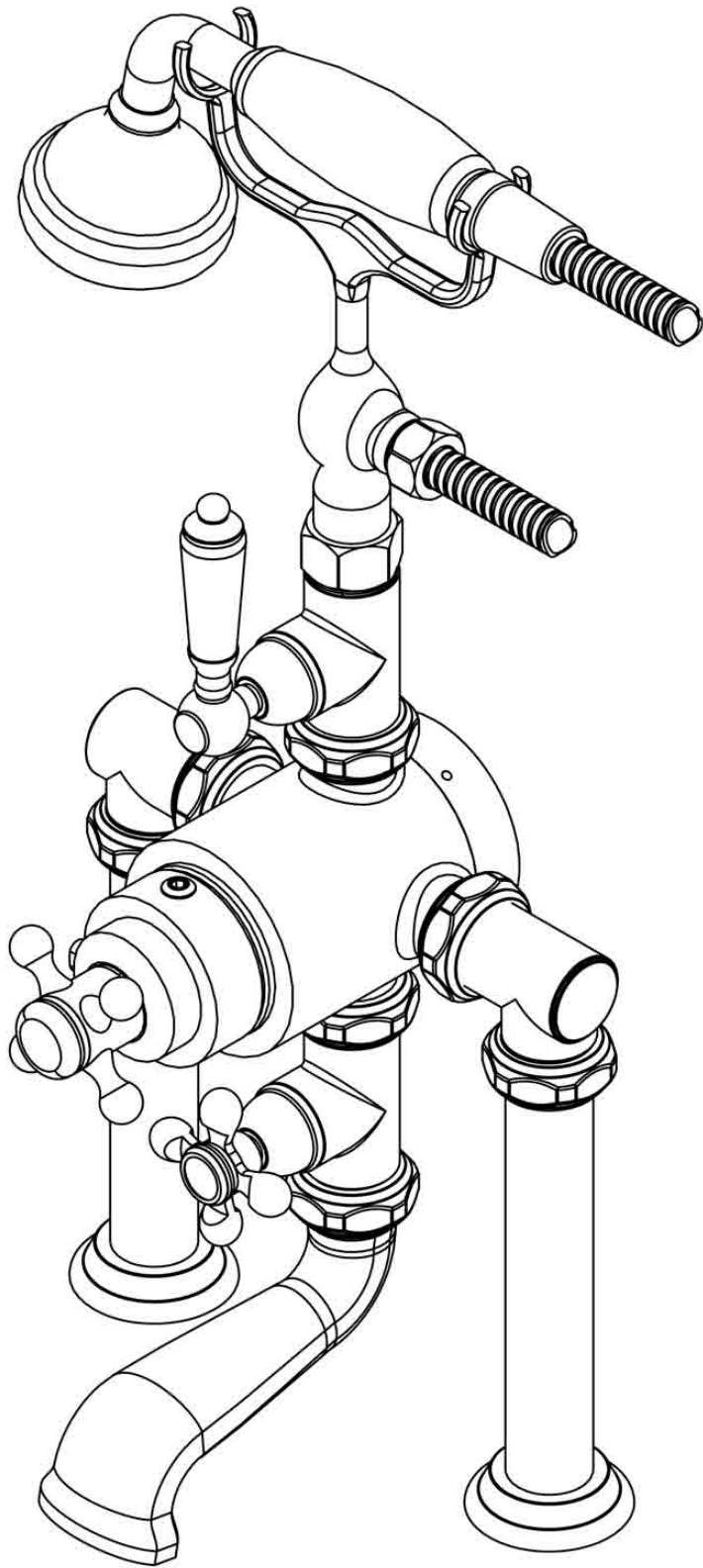


	NAME	Date	NO.	Q'ty	Assembly NO.	Material	Process		
Drawn	KBI	2008 0409			TEM2009	Cu			
Designer	KBI		Product Number			Scale	Project	Unit	
Checked	RJH	2010 0714	EM03			1:1	Third	MM	
Approved	OFC	2010 0714	OLD FORGE SHOWER CO., LLC			Dwg NO.	EM03-01		
						Type			



	NAME	Date	NO.	Q'ty	Assembly NO.	Material	Process	
Drawn	KBI	2008 0409			TEM2009	Cu		
Designer	KBI		Prodcut Number			Scale	Project	Unit
			EM03			1:1	Third	MM
Checked	RJH	2010 0714	OLD FORGE SHOWER CO., LLC			Dwg NO.	EM03-02	
Approved	OFC	2010 0714				Type		