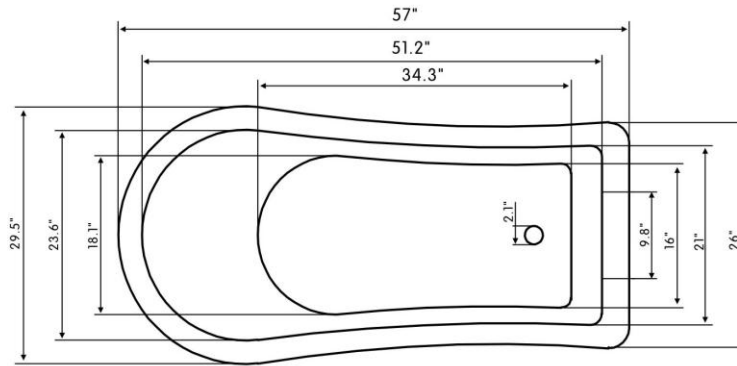
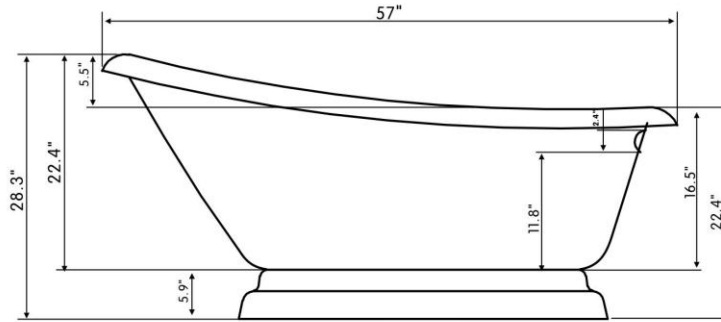


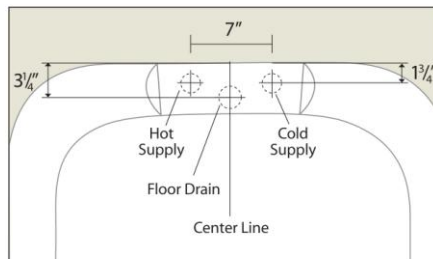
HLSLPD-59 Hotel Collection Single Slipper Pedestal Tub

Dimensions	Weights	Features
Outside: 57" x 29.5" x 28.3" high	Empty Tub: 128 lbs	Minimum 3/4" Tub Wall Thickness
Inside: 51.2" x 23.6" x 22.4" high	Weight Full to Overflow: 451 lbs	Reinforced Extra Thick Tub Floor
Tub Floor: 34.3" long x 18.1" wide	Gallons to Overflow: 41	High Gloss Acrylic Finish
Depth to Overflow: 11.8"		Integrated Heat Barrier
Overflow Hole Dia.: 2.5"		Slip Resistant Tub Floor
Drain Hole Dia.: 2.5"		Easy Clean Acrylic Surface



Meets or exceeds ANSI Z124.1.2-2005; CSA B45.0-02 & CSA B45.5-02

Classique Soaking Tubs
Typical 7" Deck Mount Faucet With Regular Drain



Measurements to be used for rough-in plumbing only