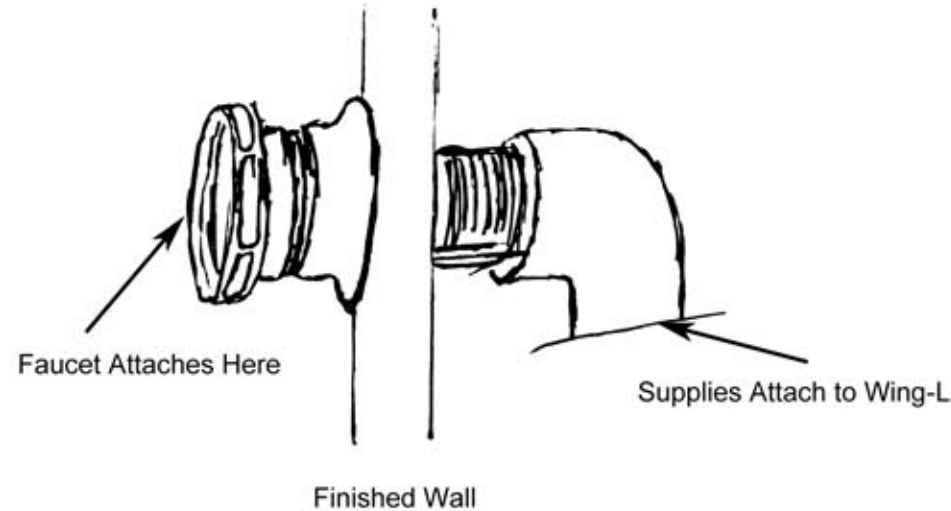
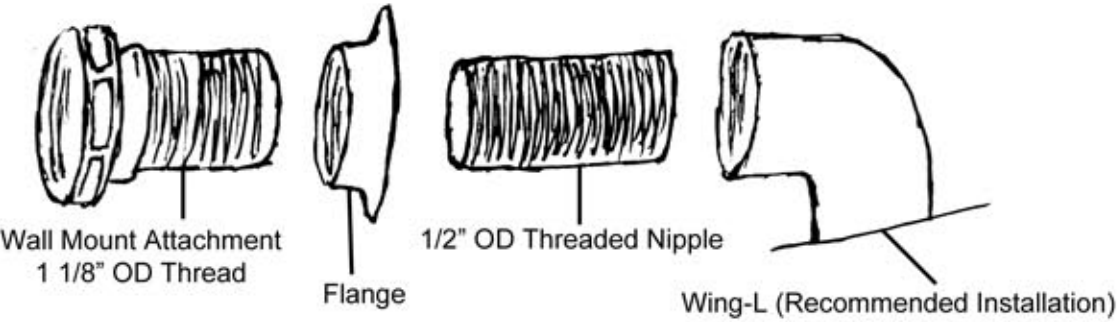
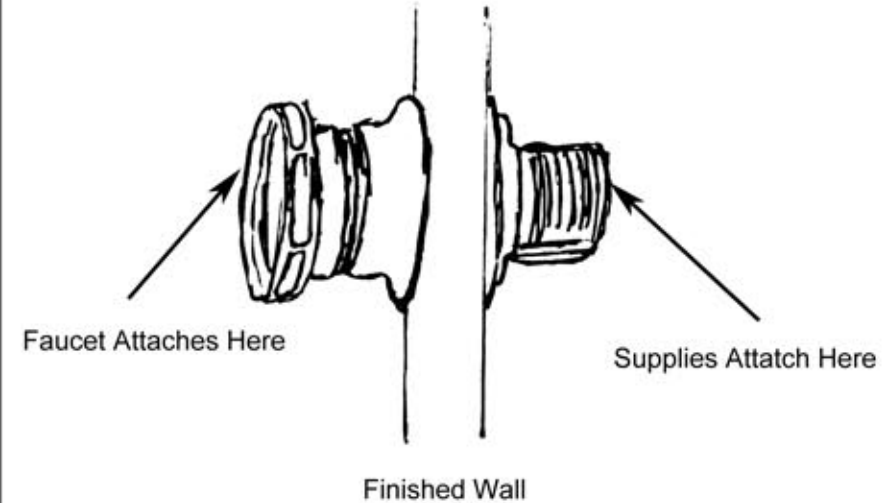
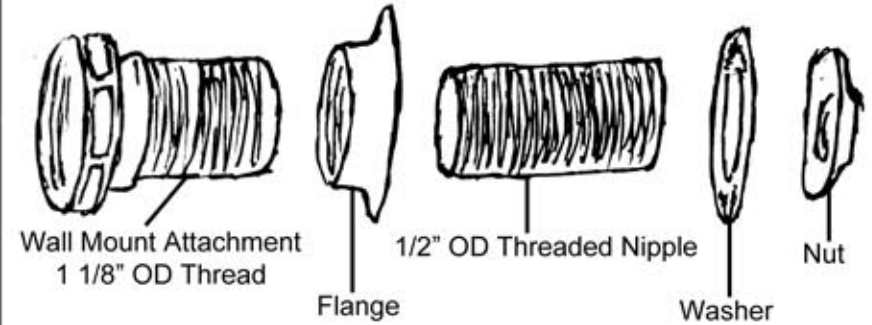


Configuration 1



Configuration 2



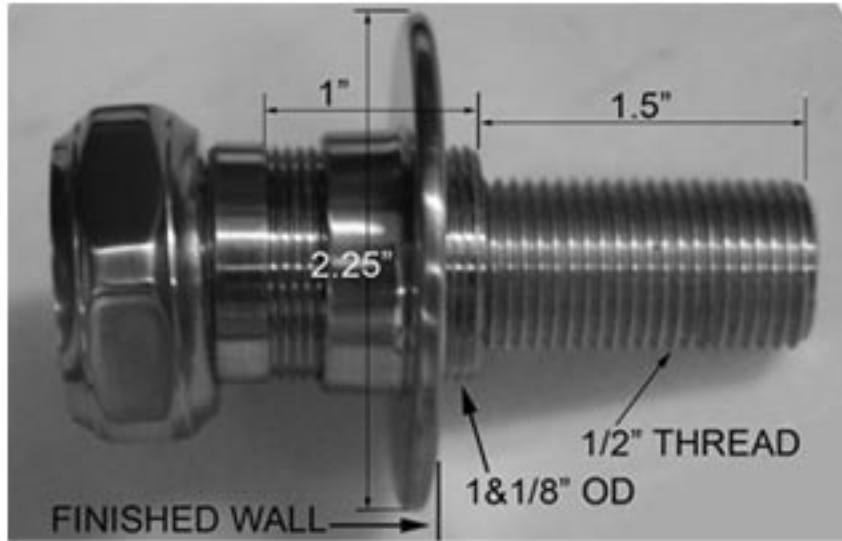
Recommended Assembly Overview

1. Wing-L must be positioned so that at least 1/2" of the 1/2" OD Threaded Nipple (2" long) will protrude from the wall. A longer nipple may be used if necessary (not provided).
2. Once Wing-L is installed, screw 1/2" OD Threaded Nipple into Wing-L. Use PTFE Tape on this connection. A plumber's wrench may be used to tighten this nipple.
3. Apply PTFE tape to the protruding end of the nipple. 5 wraps recommended.
4. Screw Flange all the way onto Wall Mount Attachment.
5. Screw Wall Mount Attachment with Flange onto protruding nipple. Tighten with an allen key.
6. Unscrew Flange until it meets the wall. A small amount of caulk should be used to seal the Flange to the wall.

Alternate Assembly Notes

1. This method will require access from behind the wall.
2. Compression fittings are provided to attach supplies to the exposed end of the nipple.
- 3 The Nut should be tightened with a wrench while the Wall Mount Attachment is held with an allen key.

Wall Mount Measurements



Wall Mount Assembly

