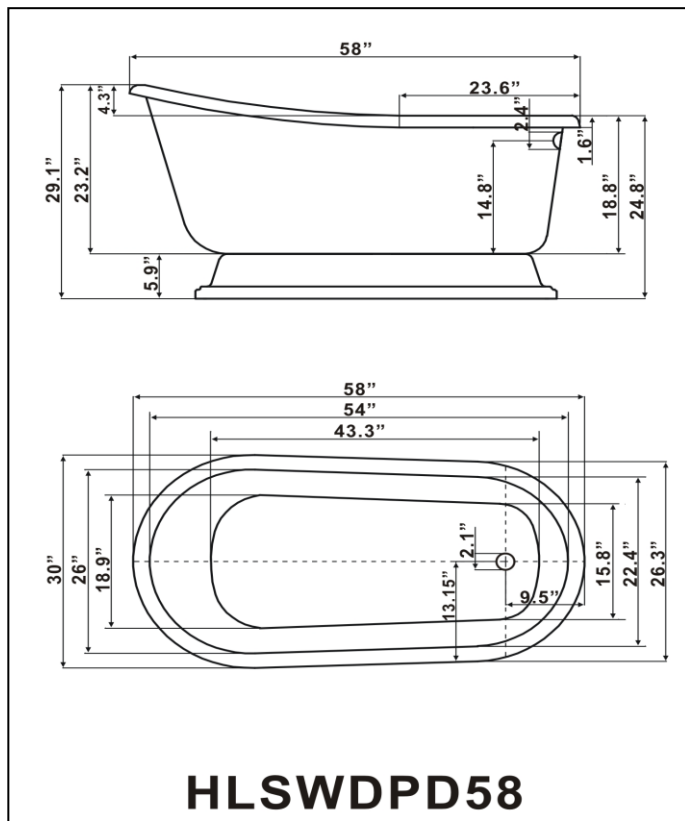




HLSWPD58

Swedish Slipper Pedestal Tub (needs wall mount or freestanding faucet)



HLSWPD58

Meets or Exceeds ANSI Z124.1.2-2005; CSA B45.0-02 & CSA B45.5-02

Weights

Weight empty	147 lbs
Weight filled to overflow	583 lbs
Gallons to overflow	54

General

- Reinforced extra thick floor
- Slip resistant floor
- High gloss interior and exterior
- Integrated aluminum heat barrier
- Minimum tub thickness 3/4"

cUPC label on base of tub



Manufactured by;

Baths of Distinction Inc. 5843 Carrier St, St. Petersburg, Florida USA 33714