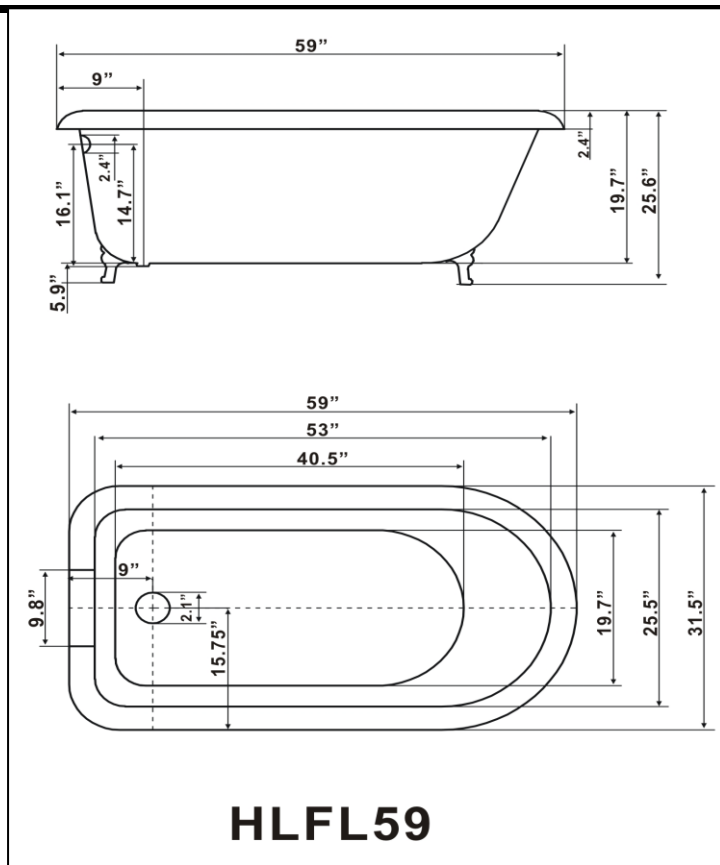




HLFL59

Classic Style Clawfoot Tub with Deck Area for Faucet



HLFL59

Meets or Exceeds ANSI Z124.1.2-2005; CSA B45.0-02 & CSA B45.5-02

Weights

| | |
|---------------------------|---------|
| Weight empty | 139 lbs |
| Weight filled to overflow | 473 lbs |
| Gallons to overflow | 49 |

General

- Reinforced extra thick floor
- Slip resistant floor
- High gloss interior and exterior
- Integrated aluminum heat barrier
- Minimum tub thickness 3/4"

cUPC label on base of tub



Manufactured by;

Baths of Distinction Inc. 5843 Carrier St, St. Petersburg, Florida USA 33714