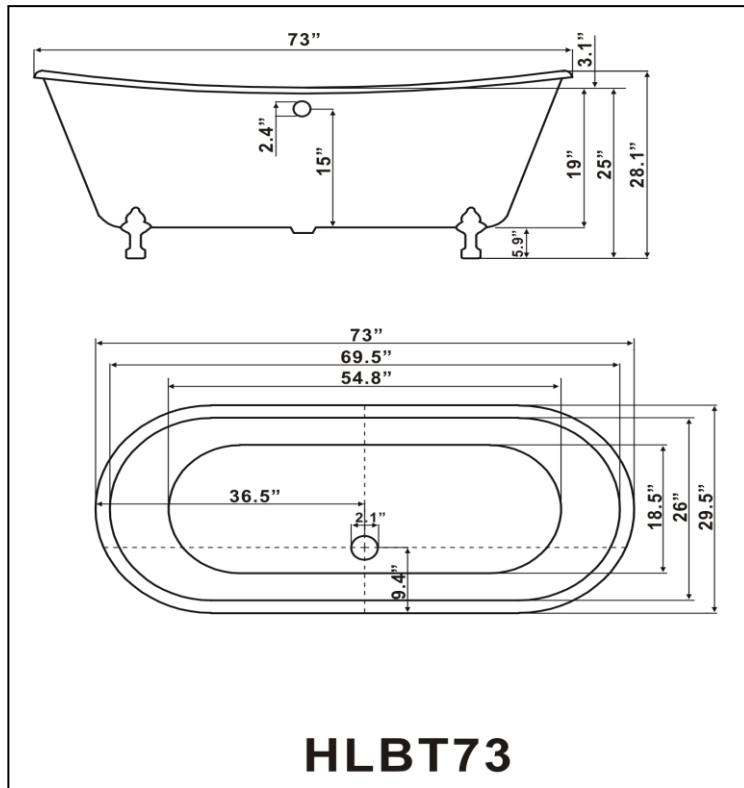




HLBT73

Bateau Clawfoot Tub (needs wall mount or freestanding faucet)



HLBT73

Meets or Exceeds ANSI Z124.1.2-2005; CSA B45.0-02 & CSA B45.5-02

Weights

Weight empty	158 lbs
Weight filled to overflow	827 lbs
Gallons to overflow	83

General

Reinforced extra thick floor
Slip resistant floor
High gloss interior and exterior
Integrated aluminum heat barrier
Minimum tub thickness 3/4"

cUPC label on base of tub



Manufactured by;

Baths of Distinction Inc. 5843 Carrier St, St. Petersburg, Florida USA 33714